

- LEGEND -

- ☒ Factory Power Wiring
- ☒ Field Power Wiring
- ☒ Component Connection
- Junction
- CAP Capacitor(Dual Run)
- *CH Crankcase Heater
- *CHS Crankcase Heater Switch
- COMP Compressor
- CONT Contactor
- OFM Outdoor Fan Motor
- C Common
- H Compressor
- F Fan

Note: "H" Stands for Hermetic which is a type of compressor

*May be factory or field installed

No START CAP / Split RUN CAP – Fan Circuit Not Included

DISCONNECT ALL SUPPLY VOLTAGES BEFORE WORKING ON ANY EQUIPMENT.

Fig. 1 Conventional HVAC unit with a contactor installed.

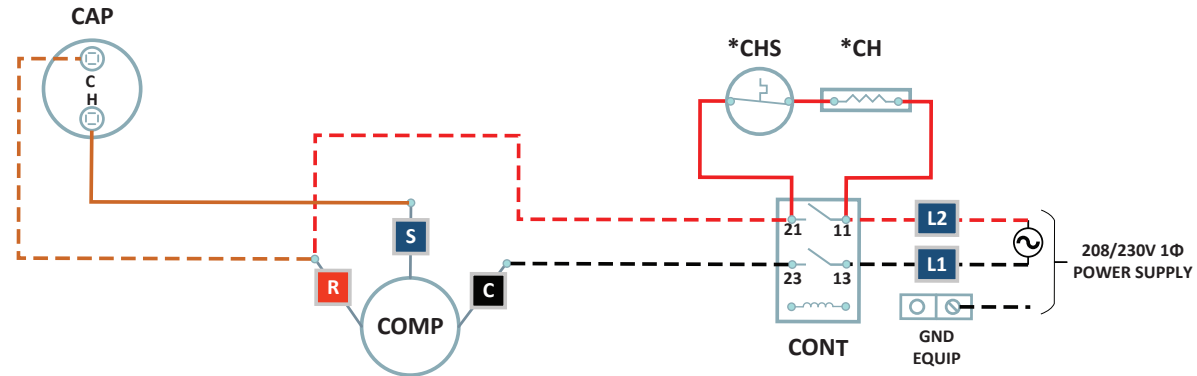
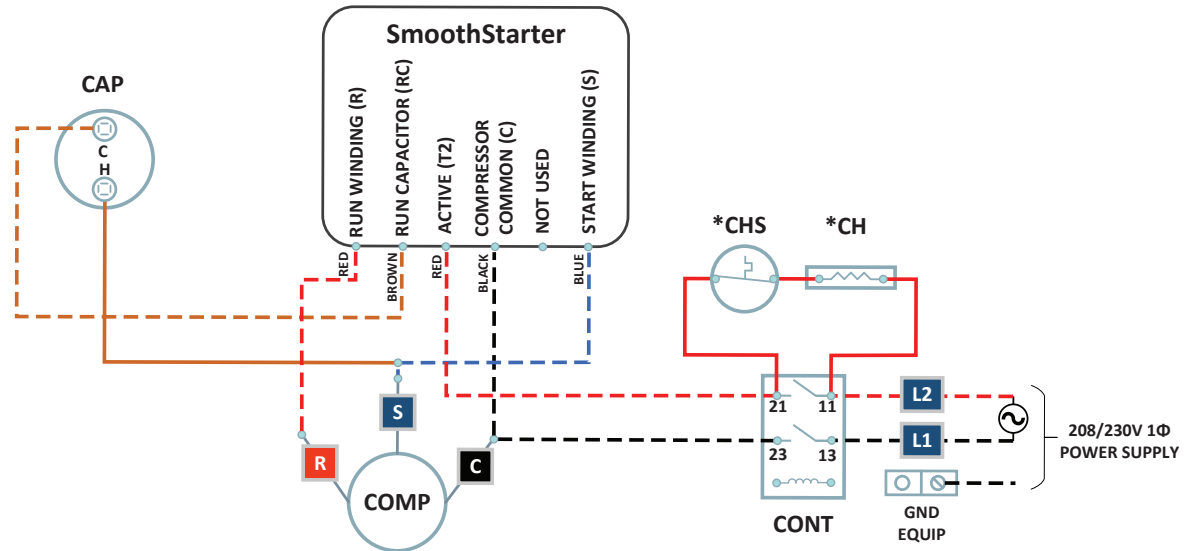


Fig. 2 Installing SmoothStarter



LED Flash Codes

NOTE: Green LED (supply) is fully ON and red LED (alarm) is OFF in normal running mode.

Alarm LED	Supply LED	Alarm
OFF	Flashing	Internal Fault
2 Flashes	ON	Under Voltage
3 Flashes	ON	Locked Rotor
4 Flashes	ON	Welded Start Capacitor Relay
5 Flashes	ON	Excess Ramp-up Time
6 Flashes	ON	Internal Over-temperature
7 Flashes	ON	Reverse Rotation
8 Flashes	ON	Load Loss
10 Flashes	ON	Welded Relay / Shorted SCR